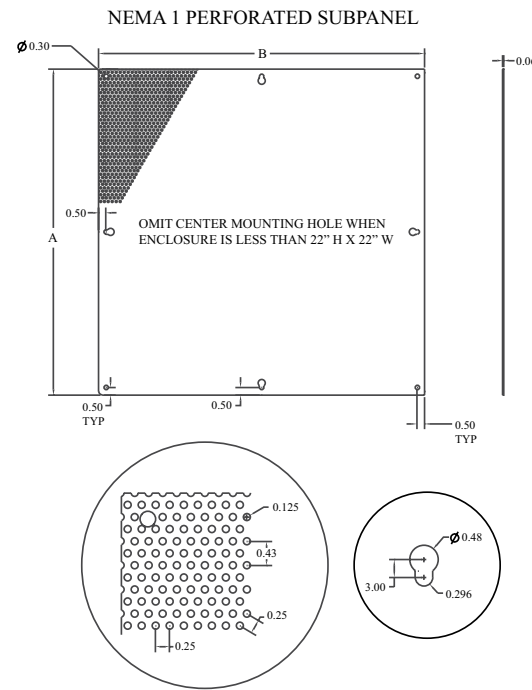


MOUNTING PANELS

PERFORATED SUBPANELS

Perforated subpanels have 0.13 mounting holes with 0.25 staggered patterns for the installation of lightweight control components with #8 self threading screws, for use in small and medium size Type 1 enclosures.

Catalog No.	Height (A)	Width (B)	Product Code
SCE-6N6MPP	4.00	4.00	N1
SCE-8N6MPP	6.00	4.00	N1
SCE-8N8MPP	6.00	6.00	N1
SCE-10N8MPP	8.00	6.00	N1
SCE-10N10MPP	8.00	8.00	N1
SCE-12N10MPP	10.00	8.00	N1
SCE-12N12MPP	10.00	10.00	N1
SCE-14N12MPP	12.00	10.00	N1
SCE-16N12MPP	14.00	10.00	N1
SCE-16N16MPP	14.00	14.00	N1
SCE-20N16MPP	18.00	14.00	N1
SCE-20N20MPP	18.00	18.00	N1
SCE-24N16MPP	22.00	14.00	N1
SCE-24N20MPP	22.00	18.00	N1
SCE-24N24MPP	22.00	22.00	N1
SCE-30N24MPP	28.00	22.00	N1
SCE-30N30MPP	28.00	28.00	N1
SCE-36N24MPP	34.00	22.00	N1
SCE-36N30MPP	34.00	28.00	N1



INDIVIDUAL PANEL SUPPORTS

Individual Panel Supports are available for mounting subpanels. Packaged in sets with all mounting hardware included. Made of heavy gauge steel and plated. For technical information, consult our installation manual at www.saginawcontrol.com.

Catalog No.	Notes	Product Code
SCE-FSPS4	Set of 4	P2
SCE-FSPS6	Set of 6	P2
SCE-FSPS8	Set of 8	P2

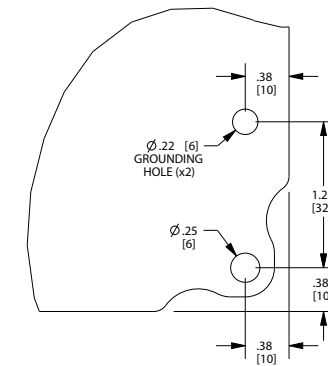
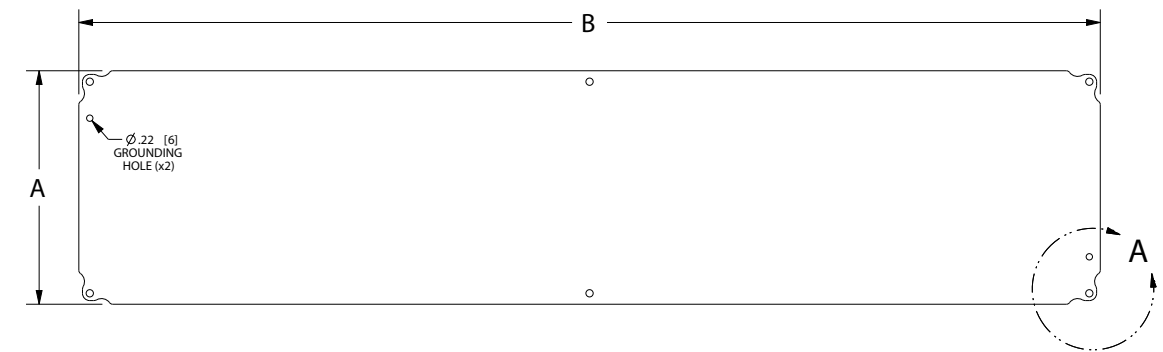


MOUNTING PANELS

ENVIROLINE® TROUGH ENCLOSURE (ELJ) SUBPANELS

Catalog No.	Height (A)	Width (B)	Product Code
SCE-9P12L	8.00	11.00	P3
SCE-9P18L	8.00	17.00	P3
SCE-9P24L	8.00	23.00	P3
SCE-9P30L	8.00	29.00	P3
SCE-9P36L	8.00	35.00	P3

Designed to be used with Enviroline® Series Trough Enclosures. Made of heavy gauge steel and powder coated white.



MOUNTING HOLE NOTES:
Omit center hole top and bottom when sub-panel width is < 15.00 [381]